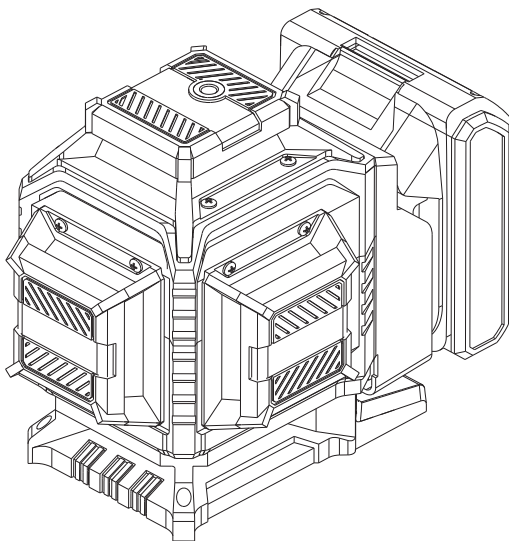


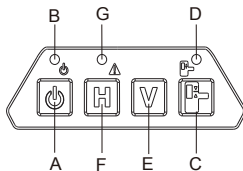
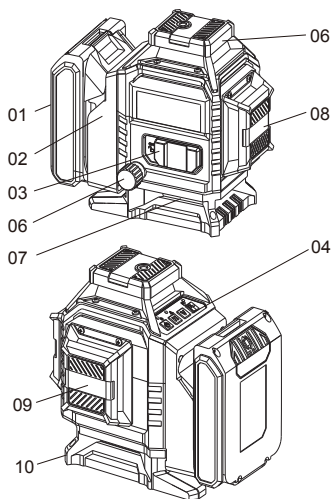
# OPERATING MANUAL



## TUF-LCG4 4x360 Green Beam Cross Line Laser Kit



**IMPORTANT! READ BEFORE USING**



## OVERVIEW

- 01 Rechargeable battery pack
- 02 Battery adaptor
- 03 On/Off switch / Pendulum lock
- 04 Keypad
- 05 Fine motion knob
- 06 Upper horizontal laser line
- 07 Bottom horizontal laser line
- 08 Front vertical laser line
- 09 Side vertical laser Line
- 10 1/4" and 5/8" tripod tread

## KEYPAD

- A Power button
- B Battery indicator
- C Receiver mode button
- D Receiver indicator
- E Vertical laser line button
- F Horizontal laser line button
- G Warning triangle

# BATTERY AND POWER

## Battery Charging

Firstly, open the USB-C charging port at the top of the battery close to the charge indicator and connect the supplied USB-C cable to this charging port.

Then connect the USB-A end of the cable to the supplied AC adaptor.

To test battery charge , turn on the battery “On” button and the battery icon will show a full charge when all 4 lights show green.

## Battery Connection

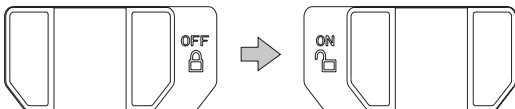
Slide the supplied rechargeable battery into the battery adaptor (2) downward with connection pins sliding into battery grooves until it clicks into place.



Please read all instructions carefully.

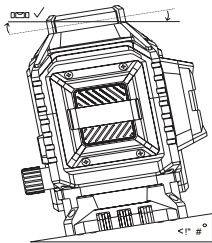
LASER RADIATION Class 2 Laser product - Do not stare into beam

## OPERATION



### Switching the Laser On and into Self-Level Operation

- Shift the pendulum switch (03) left to the ON position.
- This will unlock the laser and allow laser lines to self-level to within 3.5 degrees.
- The diagram below shows the laser tilted to it's self-levelling limit of 3.5 degrees.
- If the tilt of the laser exceeds 3.5 degrees, the laser lines will fast-flash and a tone will be heard.



Ensure that the pendulum switch (03) is in the off ( locked ) position during transport.

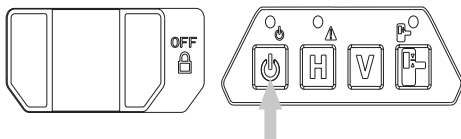
## OPERATION

### Using the Laser in Manual Slope Mode

In manual slope mode, sloping lines can be setup.

When setting up a manual slope, the laser lines will be projected with the pendulum in the locked (off) position. This allows the projection of sloped lines.

NOTE: the laser lines are not level during manual slope operation – the warning symbol (G) on the laser's keypad provides this warning along with the laser lines blinking every 10 secs with a tone.



To switch on in manual slope mode, hold the power button (A) on the laser keypad for 2 secs.

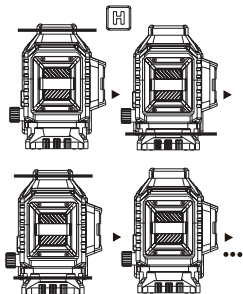
The laser can now be tilted to project a sloping line.

To turn off the laser in manual slope mode, hold the Power button (A) again for 2 secs or shift the Pendulum lock [03] to the “unlock” position and back to the “lock” position.

# OPERATION

## Horizontal Lines

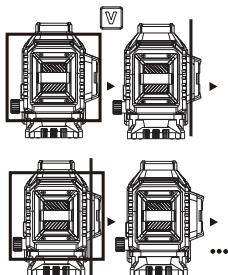
To turn on horizontal lines, press the horizontal lines button (F) marked by the letter "H".



## Vertical Lines

To turn on vertical lines, press the vertical laser line button [E] as marked on the touchpad by the letter "V".

Pushing this button a second time will turn on additional vertical line at right angles to the first.



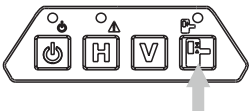
# OPERATION

## Receiver Mode

A green beam cross-line laser receiver (receiver optional) can be used for guidance where lighting conditions prohibit clear visibility.

To turn on receiver mode, press button ( C ) on the laser touchpad.

The receiver will now pick up both horizontal and vertical lines.



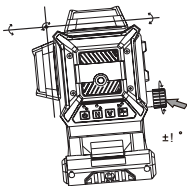
To turn off receiver mode, press the receiver mode button [C] again.

## Fine Motion Adjustment

You can turn the fine adjustment knob [5] to get vertical laser lines in the right place.

The Laser will rotate around the crossing of the two vertical Lines.

When you feel the braking, stop turning the fine adjustment knob.



## SPECIFICATIONS

	<b>TUF-LCG4</b>
Accuracy	±2mm/10m
Laser Lines	Horizontal : 2x 360 Vertical : 2x 360
Range with Receiver	Up to 70m
Levelling Range	±3.5°
Levelling	Via Pendulum
Slope Function	Manual ( via pendulum lock )
Tripod Thread/S	1/4" and 5/8"
Laser Classification	Class 2
Power	12V rechargeable battery
Protection	IP54
Dimensions	162x117x153mm
Weight	0.5 Kg
Operating Temp.	-10°C ~ +40°C
Storage Temp.	-20°C ~ +70°C